

Name:

Enrolment No:



**UNIVERSITY OF PETROLEUM AND ENERGY STUDIES**  
**End Semester Examination, December 2018**

Course: Network Theory, ECEG2006

Semester: III

Programme: B.Tech. - Electrical

Time: 03 hrs.

Max. Marks: 100

Instructions: All questions are compulsory

**SECTION A**

S. No.		Marks	CO
Q 1	List the properties of RL impedance function.	4	CO2
Q.2	Differentiate between dependent and independent sources.	4	CO1
Q.3	Derive Laplace Transform of saw tooth triangular pulse of unity height and duration T.	4	CO3
Q.4	A circuit consists of two parallel resistances R1 and R2 in series with R3. The total circuit current is I. What is the current passing through R2?	4	CO1
Q.5	State Thevenin's and Millman's theorem with their equivalent circuit diagram.	4	CO1,2

**SECTION B**

Q.6	How is two terminal pair network characterized in terms of input output variables? Also mention various two port parameters and write equations in terms of these parameters with their equivalent circuit diagram.	10	CO4
Q.7	Using Nodal analysis, find current through branch AB of the network shown.	10	CO2,3
Q.8	Find the FOSTER form of the function given below $Z(s) = \frac{2(s+2)(s+5)}{(s+4)(s+6)}$	10	CO4
Q.9	Determine whether the following functions are positive real (i) $\frac{2s^2+2s+1}{s^3+2s^2+s+2}$ (ii) $\frac{s^3+2s^2+2s+1}{s^2+s+2}$	10	CO4

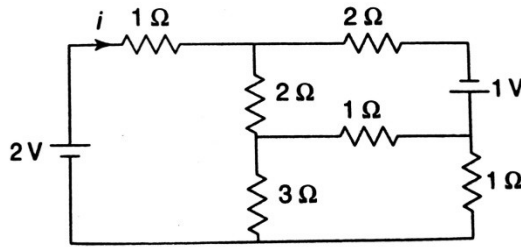
**SECTION-C**

Q.10

(a) Test the following polynomial for Hurwitz property:

(i)  $s^4 + 7s^3 + 6s^2 + 21s + 8$     (ii)  $s^7 + 3s^5 + 2s^3 + s$

(b) For the network shown in fig. below, draw the oriented graph and obtain the tieset matrix. Use this matrix to calculate the current  $i$ .



8

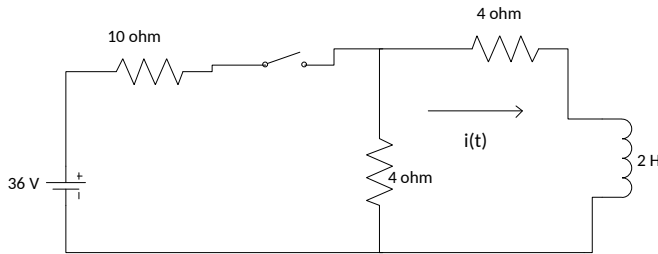
CO5

12

CO2

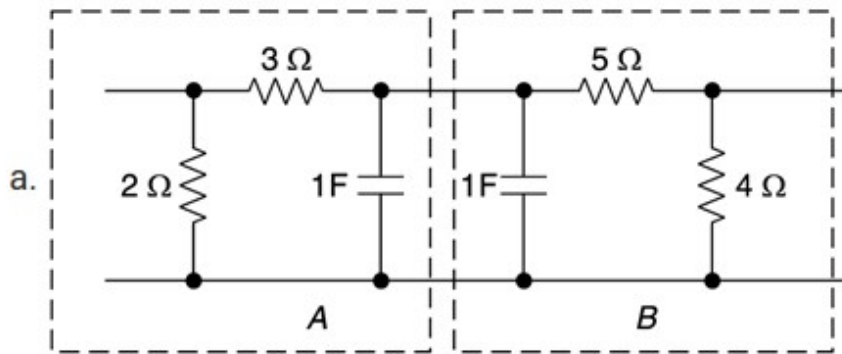
Q.11

(a) The network shown in figure has acquired steady state with the switch closed for  $t < 0$ . At  $t = 0$ , the switch is opened. Obtain  $i(t)$  for  $t > 0$ .



10

(b) Calculate the ABCD parameters for the block A and B separately and then using these results, calculate the ABCD parameters of the whole circuit shown in the figure. Prove any formula used.



10

CO5

Name:	
Enrolment No:	

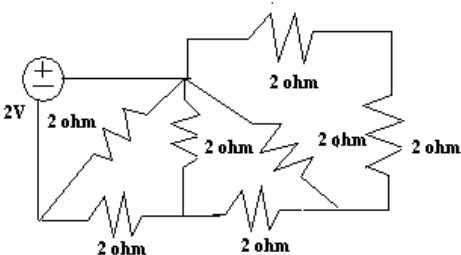
**UNIVERSITY OF PETROLEUM AND ENERGY STUDIES**  
**End Semester Examination, December 2018**

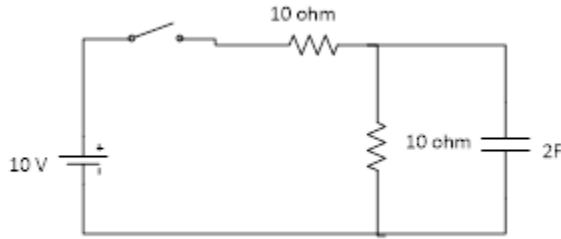
Course: Network Theory, ECEG2006	Semester: III
Programme: B.Tech. - Electrical	
Time: 03 hrs.	Max. Marks: 100
Instructions: All questions are compulsory	

**SECTION A**

S. No.	Question	Marks	CO
Q 1	List the necessary and sufficient conditions for positive real function.	4	CO2
Q.2	A resistance of 10 ohm is connected across a supply of 200V. if a resistance R is now connected in parallel with a 10 ohm resistance, the current drawn from the supply gets doubled. Find the value of unknown resistance.	4	CO1
Q.3	Derive Laplace Transform of square pulse of unity height and duration T.	4	CO3
Q.4	Differentiate RL and RC impedance function.	4	CO2
Q.5	State Norton's and Reciprocity's theorem with their equivalent circuit diagram.	4	CO1

**SECTION B**

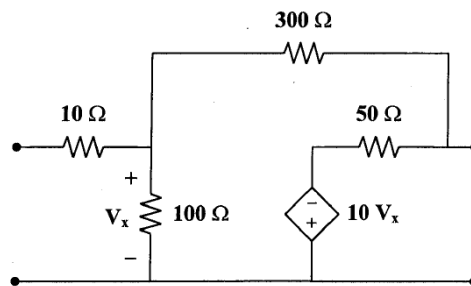
Q.6	The Z-parameter of a two port network are $Z_{11} = 2.1\Omega$ , $Z_{12} = Z_{21} = 0.6\Omega$ , $Z_{22} = 1.6\Omega$ . A resistor of $2\Omega$ is connected across port 2. What voltage must be applied at port 1 to produce a current of 0.5 A in the $2\Omega$ resistor.	10	CO2
Q.7	Determine the cut-sets of the graph shown in figure and write network equilibrium equation using cut set matrix. <div style="text-align: center; margin: 10px 0;">  </div>	10	CO3
Q.8	Realize the given function in Cauer I form $F(s) = \frac{2(s+1)(s+3)}{(s+2)(s+6)}$	10	CO4
Q.9	The switch in the network shown in figure is closed at $t = 0$ . Determine the voltage $V_c(t)$ across the capacitor.	10	CO5



**SECTION-C**

Q.10

(a) Obtain the h-parameter of the two port network shown in figure



10

CO3,4

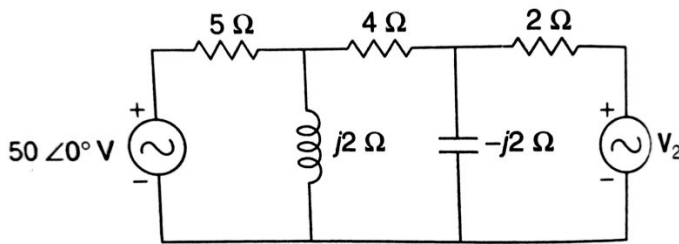
(b) State and explain the importance of the maximum power transfer theorem. Why maximum power transfer criterion is never considered in Power system. And show that efficiency of power transfer is 50 %.

10

CO2

Q.11

(a) In the network given below, find  $V_2$  which results in zero current through the  $4\Omega$  resistor.



8

CO1,2

(b) Measurements were made on a two- port network shown in the figure.



12

CO3,4

(i) With port -2 open, a voltage of  $100 \angle 0$  volt is applied to port - 1, resulted in  $I_1 = 10 \angle 0$  amp and  $V_2 = 25 \angle 0$  volt.

(ii) With port - 1 open a voltage of  $100 \angle 0$  volt is applied to port -2, resulted in  $I_2 = 20 \angle 0$  amp and  $V_1 = 50 \angle 0$  volt.

a. Write the loop equations for the network and also find the driving point and transfer impedance.

b. what will be the voltage across a 10 ohm resistor connected across port-2 if a  $100 \angle 0$  volt source is connected across port -1.
